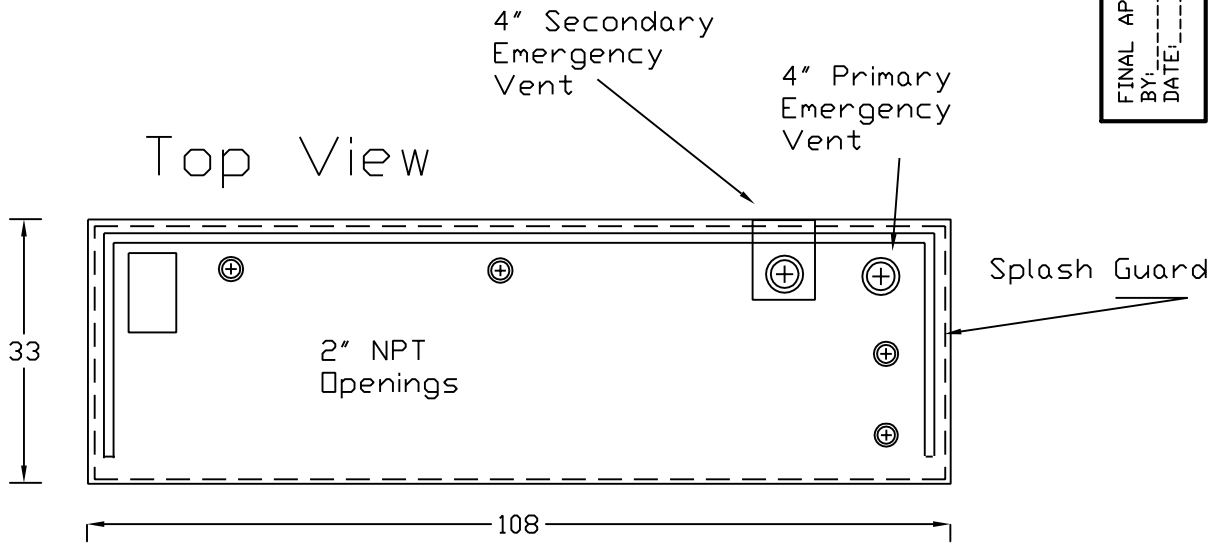


Tank Information

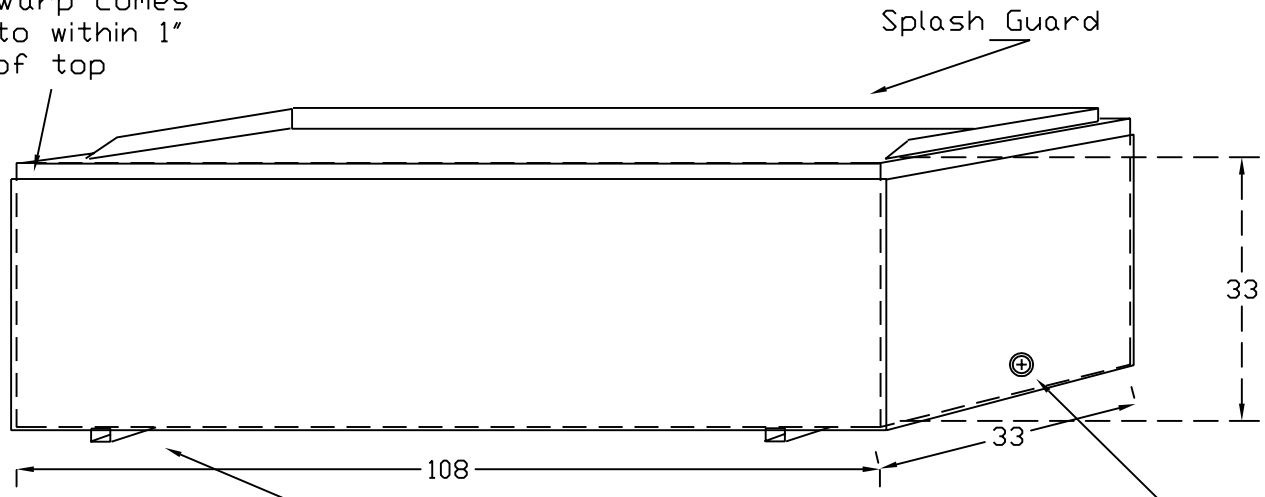
ZONE	REV	DESCRIPTION	DATE	APPROVED
		12 Gauge Carbon Steel Construction, UL142 Listed, Red Primer coating	June 2009	

FINAL APPROVED DRAWING
 BY: _____
 DATE: _____

Top View



Outside Warp comes to within 1" of top



Channel under tank to Elevate it off the floor



500DWWB

500 Gallon Work Bench Tank, Double wall construction, standard openings, channel under tank, red primer coating

1333 North Douglas St
 Florence, SC 29501
 Telephone (843) 669-3381
 Fax (843) 664-9118

UL142 Listed	For Stationery Use Only	REV
SCALE	M Moran	SHEET