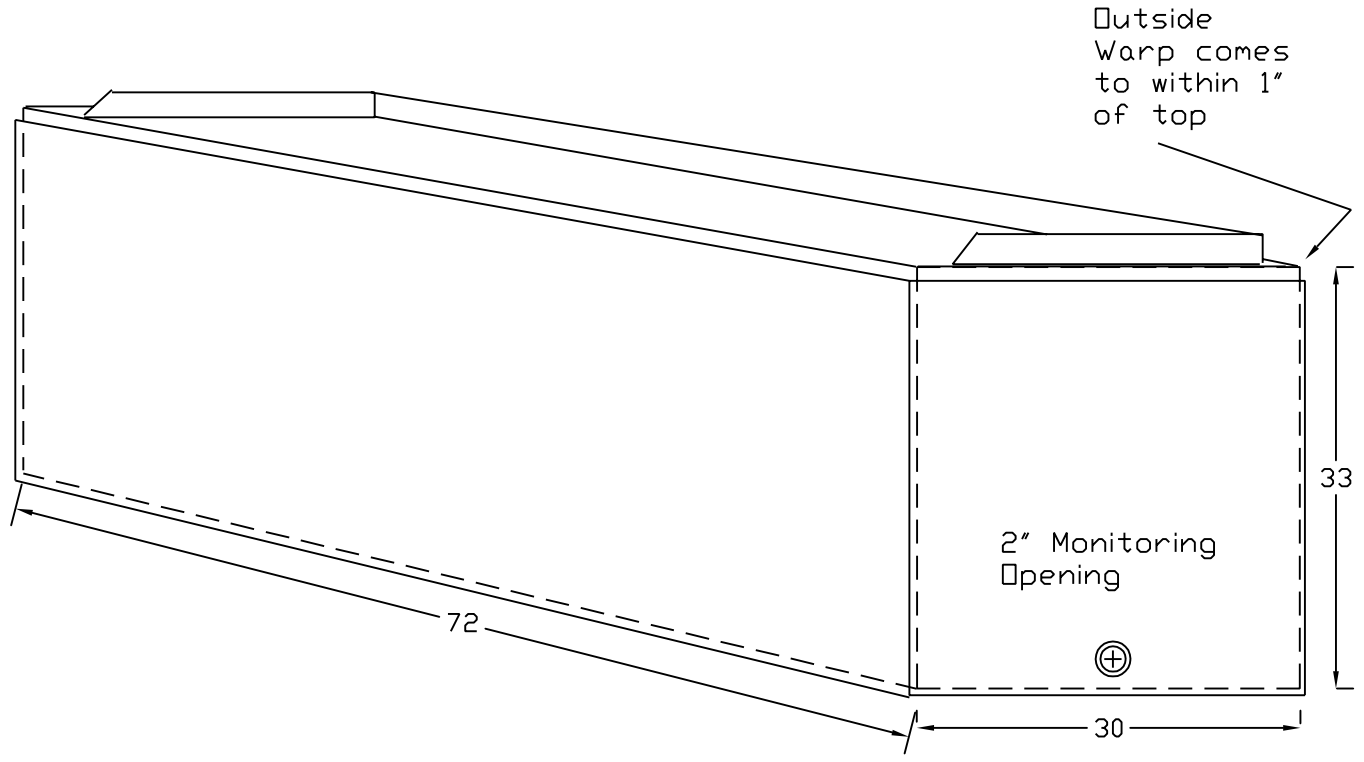
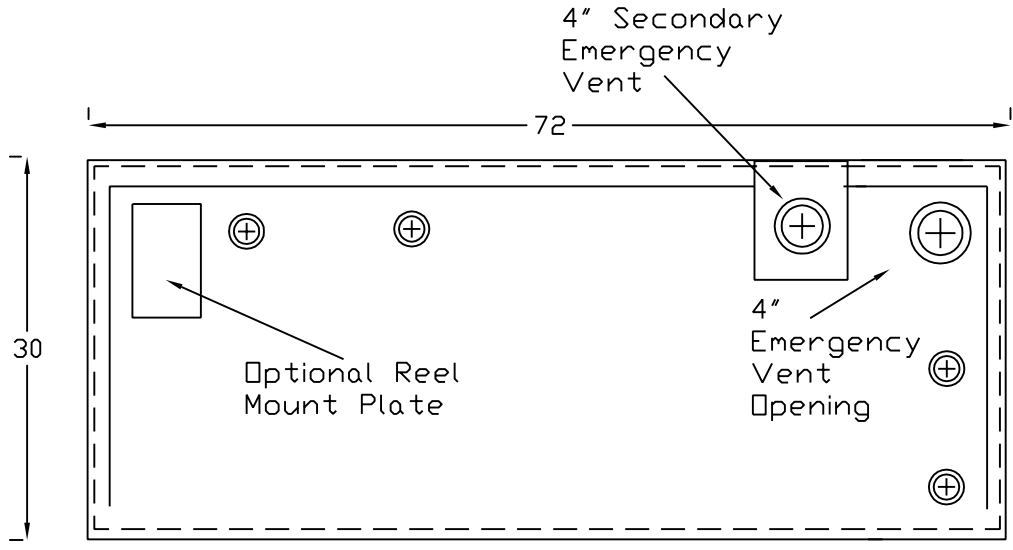


Tank Information

ZONE	REV	DESCRIPTION	DATE	APPROVED
------	-----	-------------	------	----------

May 2009

FINAL APPROVED DRAWING  
 BY: \_\_\_\_\_  
 DATE: \_\_\_\_\_



**PDT**  
**Pee Dee Tank**

1333 North Douglas St  
 Florence, SC 29501  
 Telephone (843) 669-3381  
 Fax (843) 664-9118

350DWB

350 Gallon Workbench, Single Wall Construction, PDH feet, Standard Openings on top, Drain Opening, Red Primer Coating

SCALE	UL142 Listed	For Stationery Use Only	REV
	M Moran	SHEET	