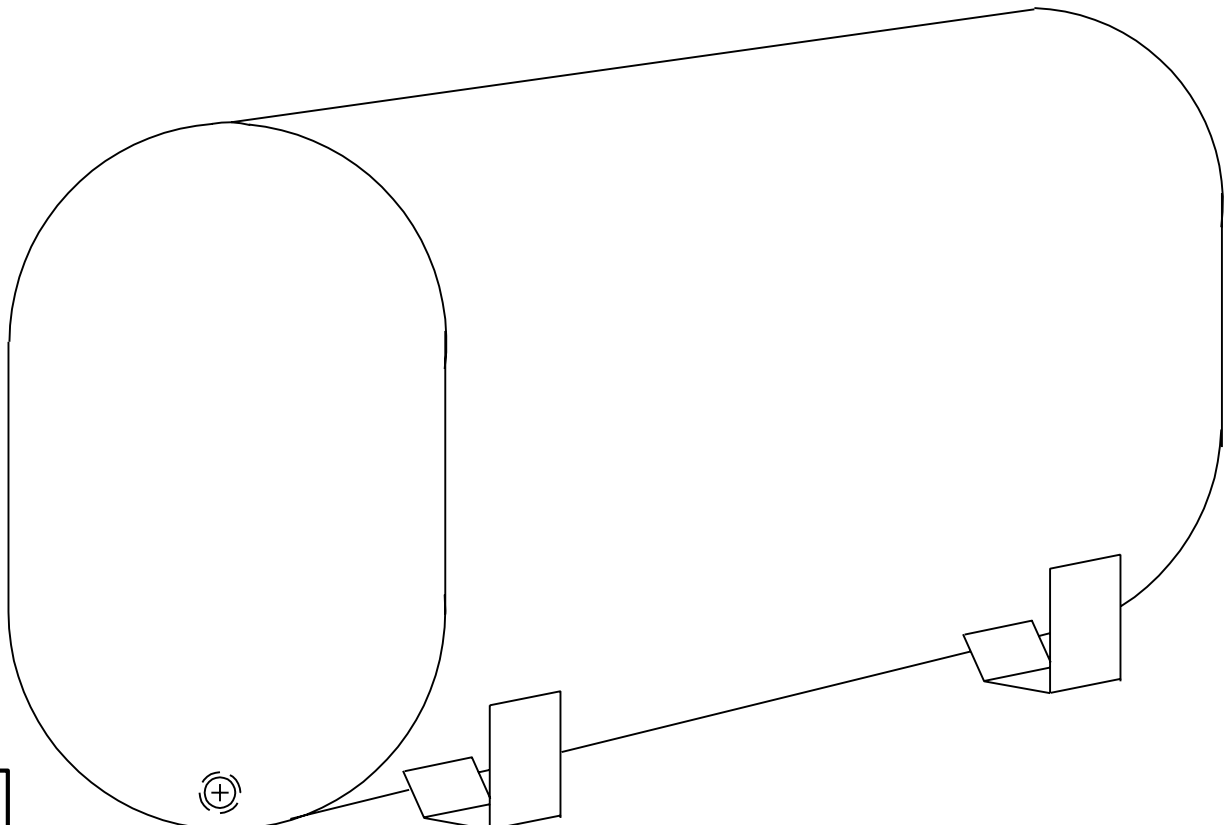
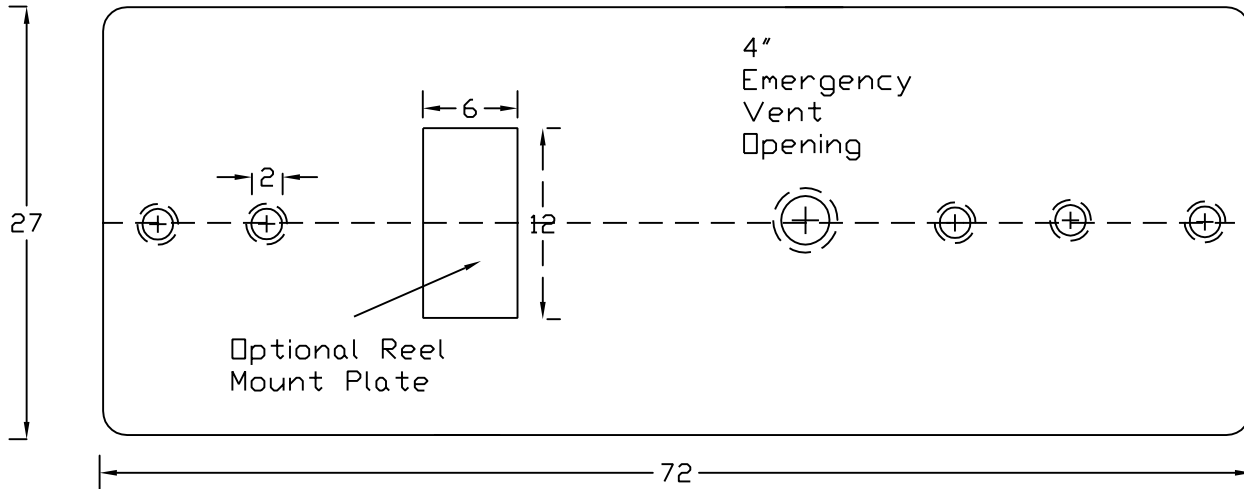


Tank Information

ZONE	REV	DESCRIPTION	DATE	APPROVED
------	-----	-------------	------	----------

May 2009



FINAL APPROVED DRAWING
 BY: _____
 DATE: _____



330 Round SW Tank

330 Gallon Horizontal, Single Wall Construction, PDH feet, Standard Openings on top, Drain Opening, Red Primer Coating

1333 North Douglas St
 Florence, SC 29501
 Telephone (843) 669-3381
 Fax (843) 664-9118

UL142 Listed	For Stationery Use Only	REV
SCALE	M Moran	SHEET