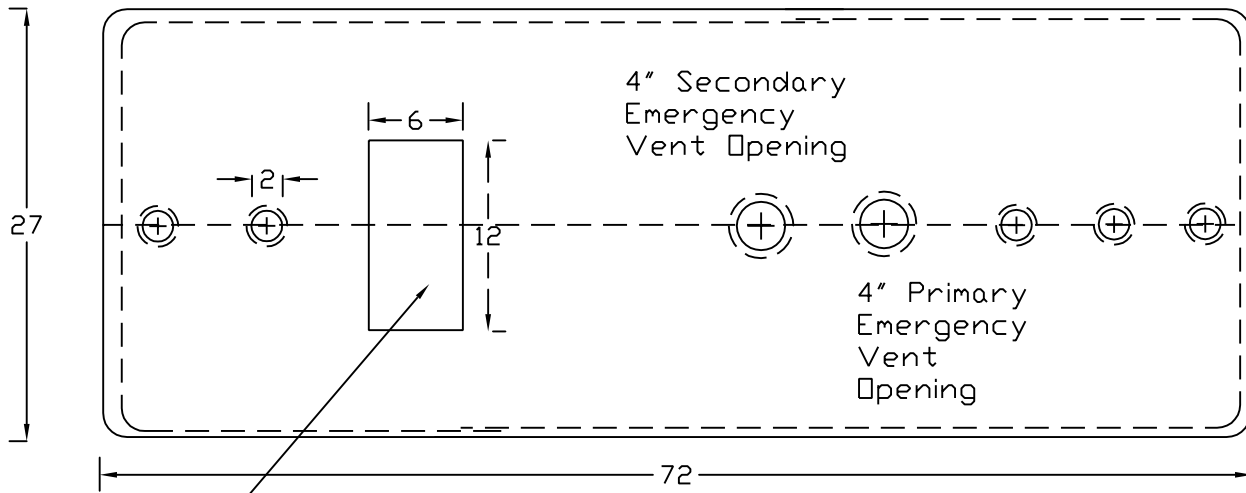
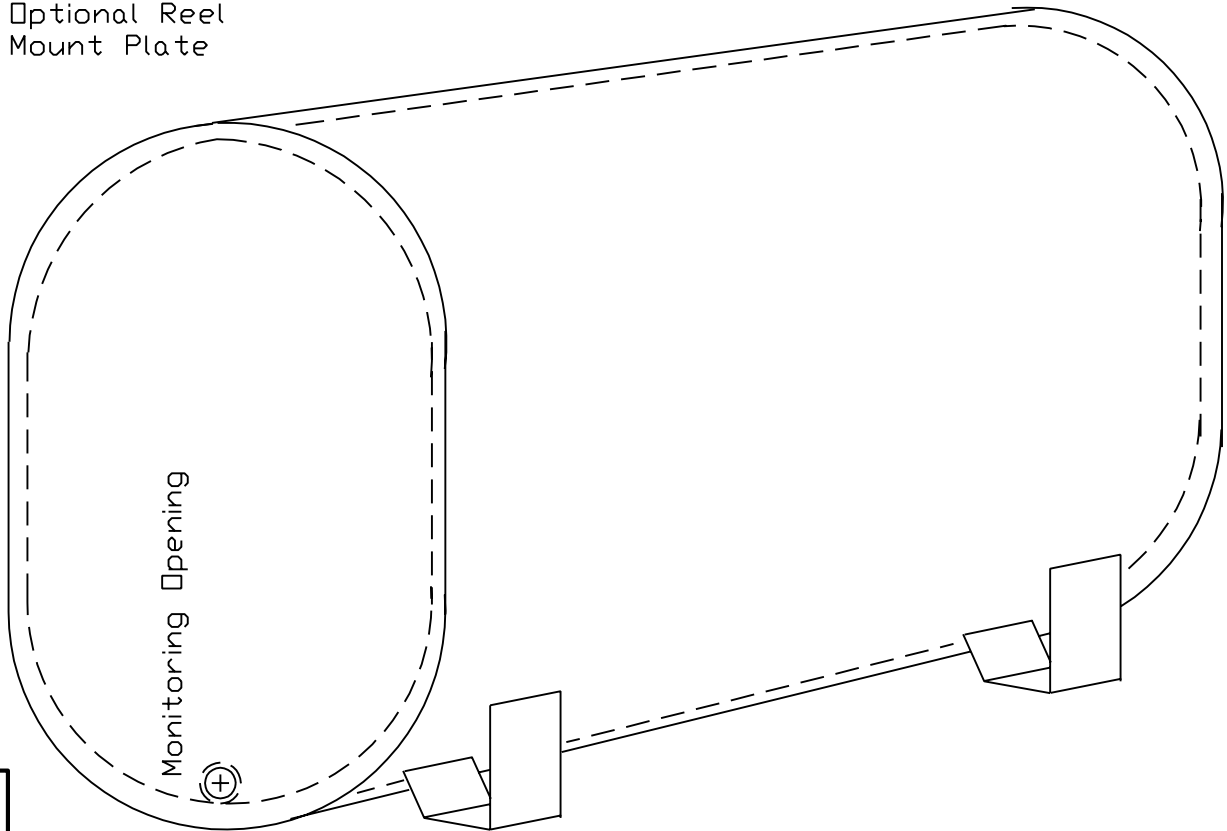


Tank Information			
ZONE	REV	DESCRIPTION	DATE

May 2009



Optional Reel Mount Plate



FINAL APPROVED DRAWING  
 BY: \_\_\_\_\_  
 DATE: \_\_\_\_\_



1333 North Douglas St  
 Florence, SC 29501  
 Telephone (843) 669-3381  
 Fax (843) 664-9118

330 Round DW Tank

330 Gallon Horizontal, Double Wall Construction, PDH feet, Standard Openings on top, Drain Opening, Red Primer Coating

UL142  
 Listed

For Stationery Use Only

REV

SCALE

M Moran

SHEET