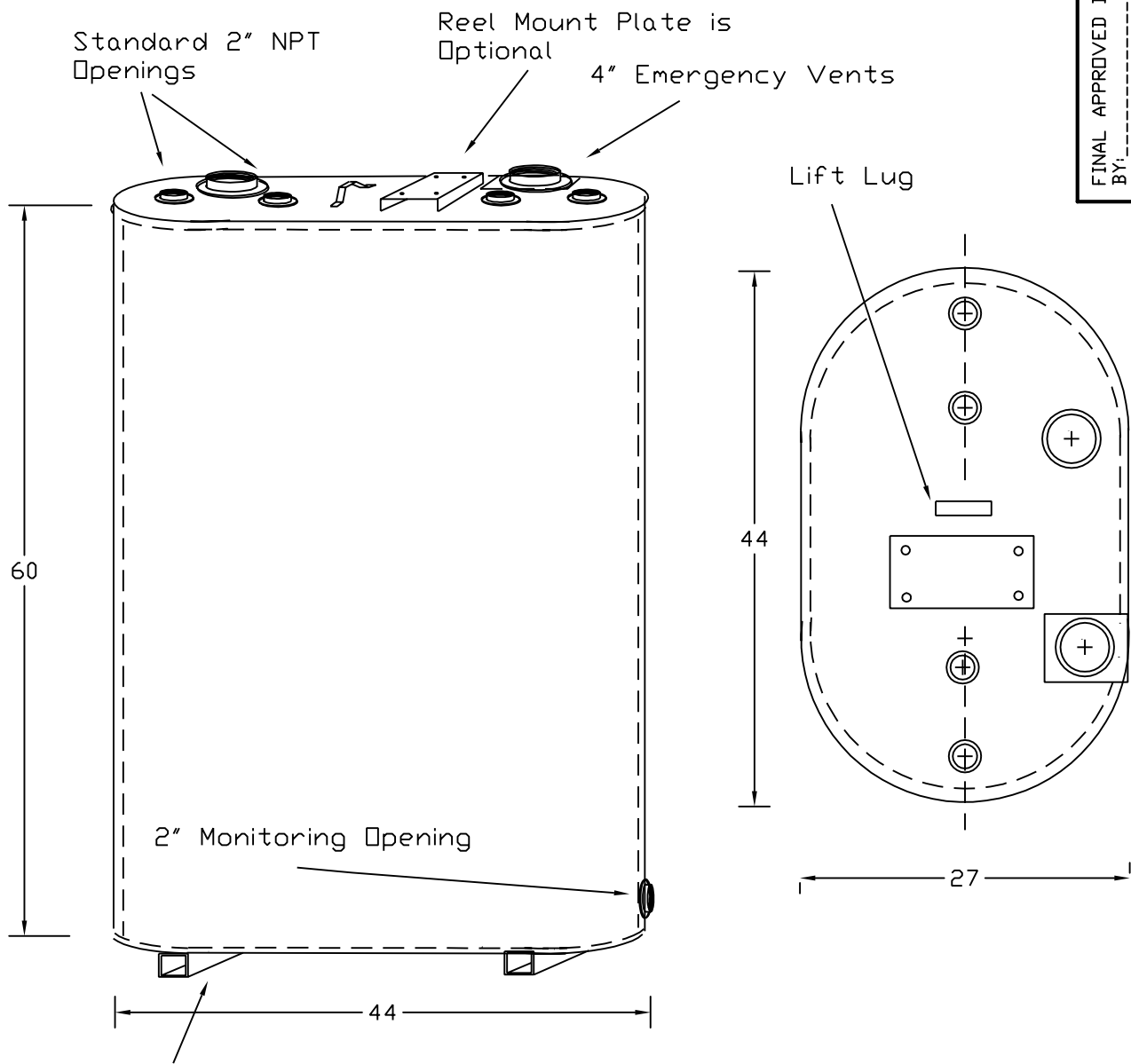


Tank Information

ZONE	REV	DESCRIPTION	DATE	APPROVED
------	-----	-------------	------	----------

June 2009

FINAL APPROVED DRAWING  
 BY: \_\_\_\_\_  
 DATE: \_\_\_\_\_



2" High Square Tubing to keep tank off the floor.



2750BVDW

275 Gallon Vertical Round tank, double wall construction, Standard 2" NPT Openings, 4" EM Vent, Opening, 2" Monitoring Opening

1333 North Douglas St  
 Florence, SC 29501  
 Telephone (843) 669-3381  
 Fax (843) 664-9118

UL142 Listed	For Stationery Use Only	REV
SCALE	M Moran	SHEET