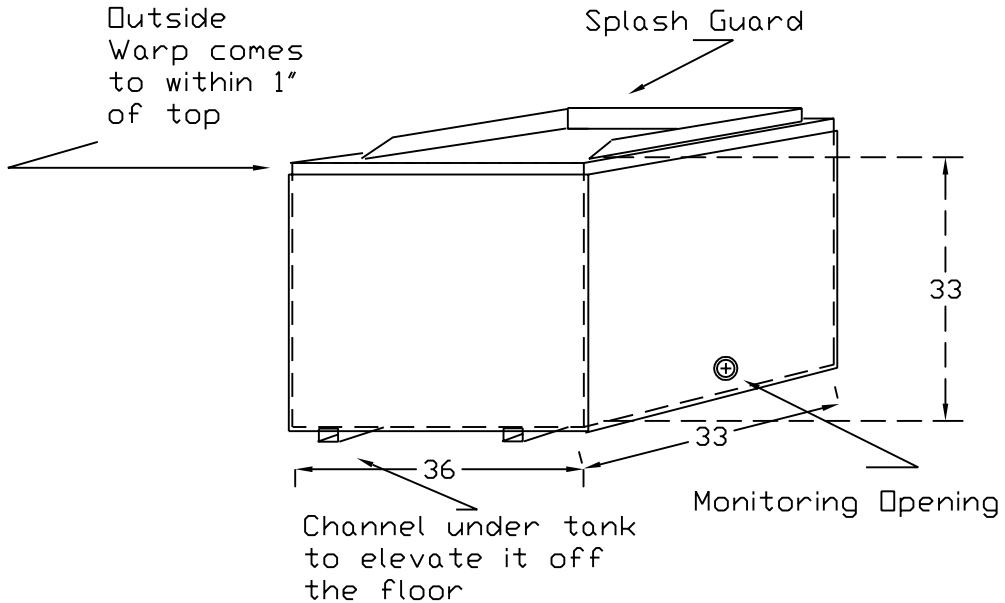
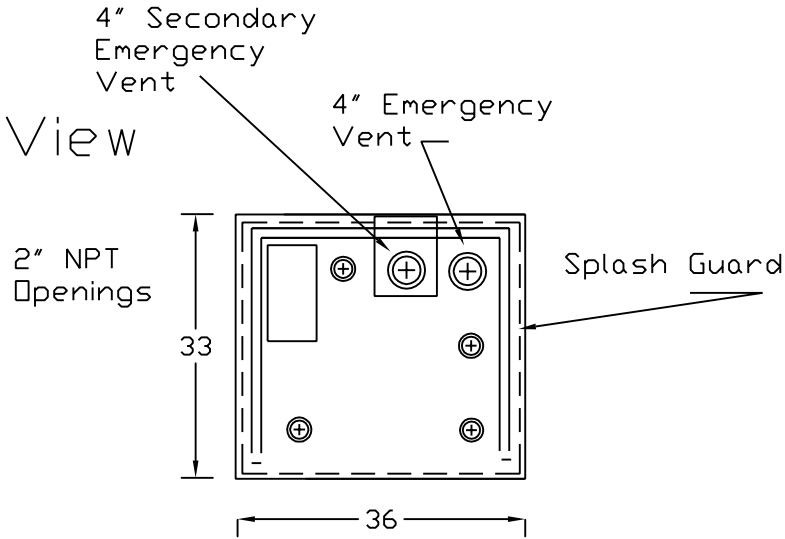


Tank Information

ZONE	REV	DESCRIPTION	DATE	APPROVED
		12 Gauge Carbon Steel Construction, UL142 Listed, Red Primer coating	June 2009	

FINAL APPROVED DRAWING
 BY: _____
 DATE: _____

Top View



165DWB

165 Gallon Work Bench Tank, Double wall construction, standard openings, channel under tank, red primer coating

1333 North Douglas St
 Florence, SC 29501
 Telephone (843) 669-3381
 Fax (843) 664-9118

UL142 Listed	For Stationery Use Only	REV
SCALE	M Moran	SHEET