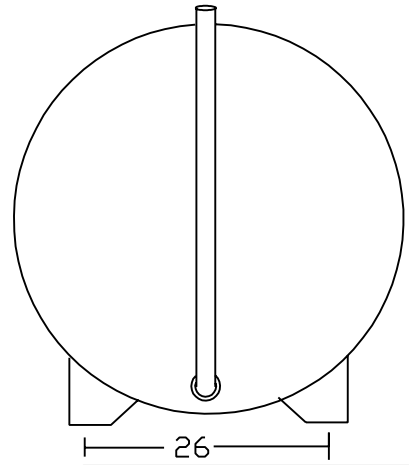


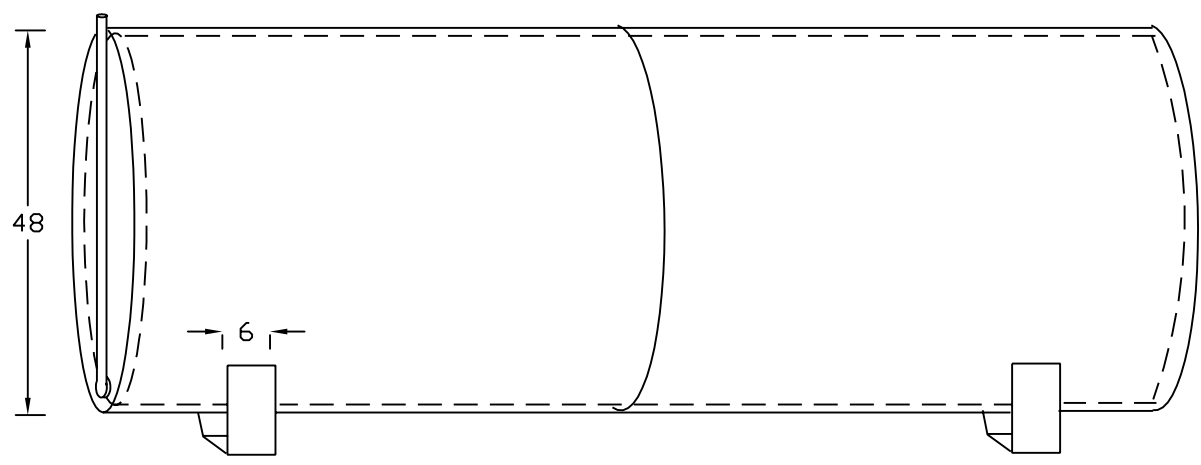
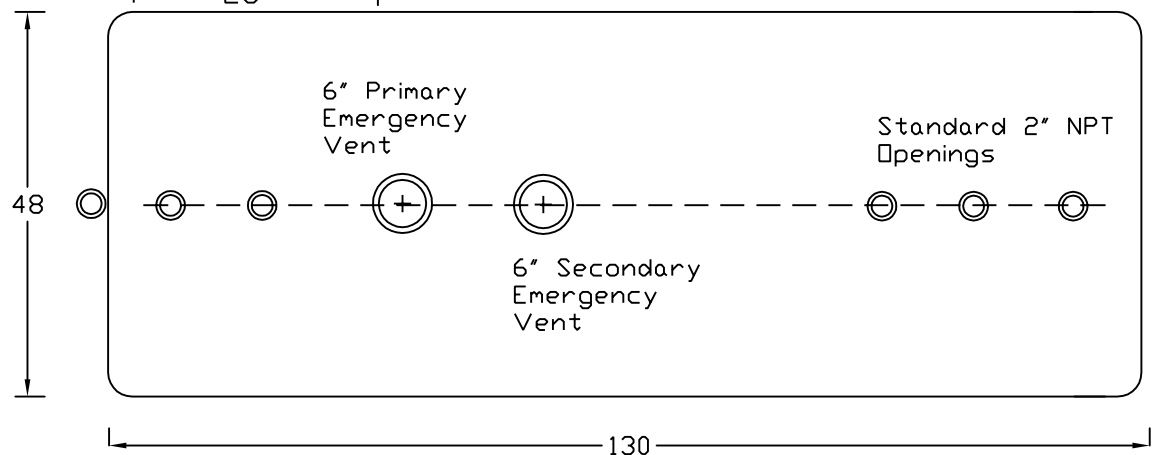
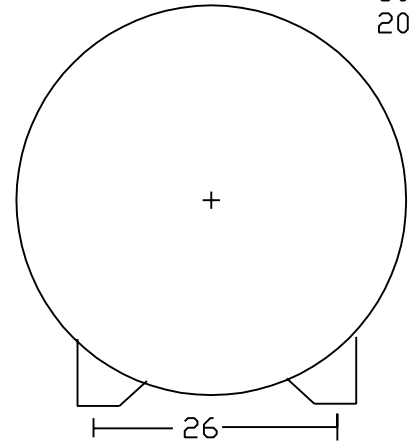
Tank Information			
ZONE	REV	DESCRIPTION	DATE

June
2009

FINAL APPROVED DRAWING
BY: _____
DATE: _____



48




Pee Dee Tank

1333 North Douglas St
Florence, SC 29501
Telephone (843) 669-3381
Fax (843) 664-9118

1000PDHDW		
1000 Gallon Double Wall tank with PDH feet, Monitoring Pipe, 6" Emergency Vent Openings, Standard 2" NPT Openings top.		
UL142 Listed	For Stationery Use Only	REV
SCALE	M Moran	SHEET