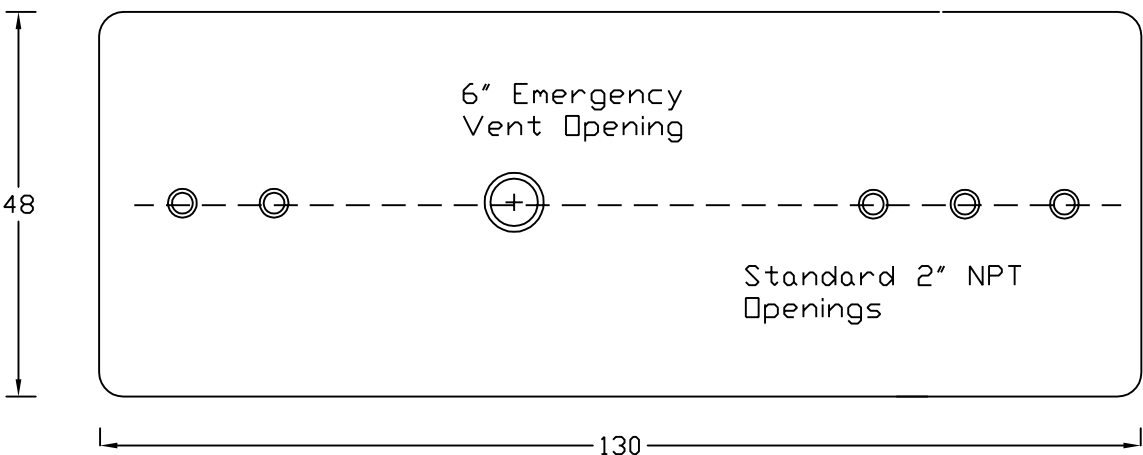
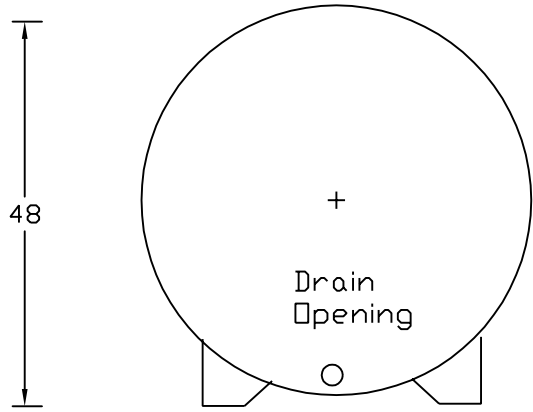



Tank Information

ZONE	REV	DESCRIPTION	DATE	APPROVED
------	-----	-------------	------	----------

June
2009

FINAL APPROVED DRAWING
BY: _____
DATE: _____



	1000PDH		
	1000 Gallon Single Wall tank with PDH feet, 2" Drain Opening, 6" Emergency Vent Opening, Standard 2" NPT Openings top.		
1333 North Douglas St Florence, SC 29501 Telephone (843) 669-3381 Fax (843) 664-9118	UL142 Listed	For Stationery Use Only	REV
	SCALE	M Moran	SHEET