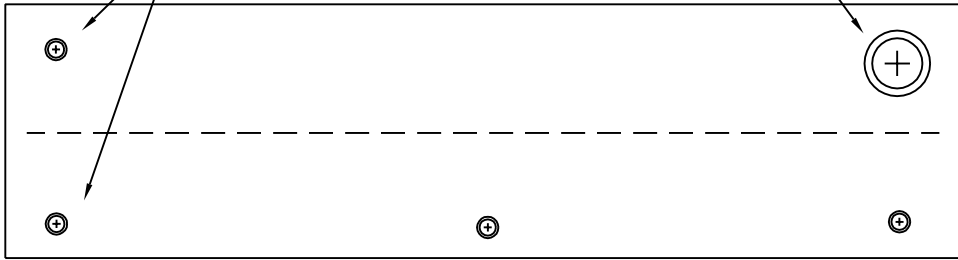
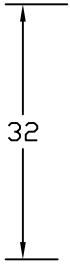


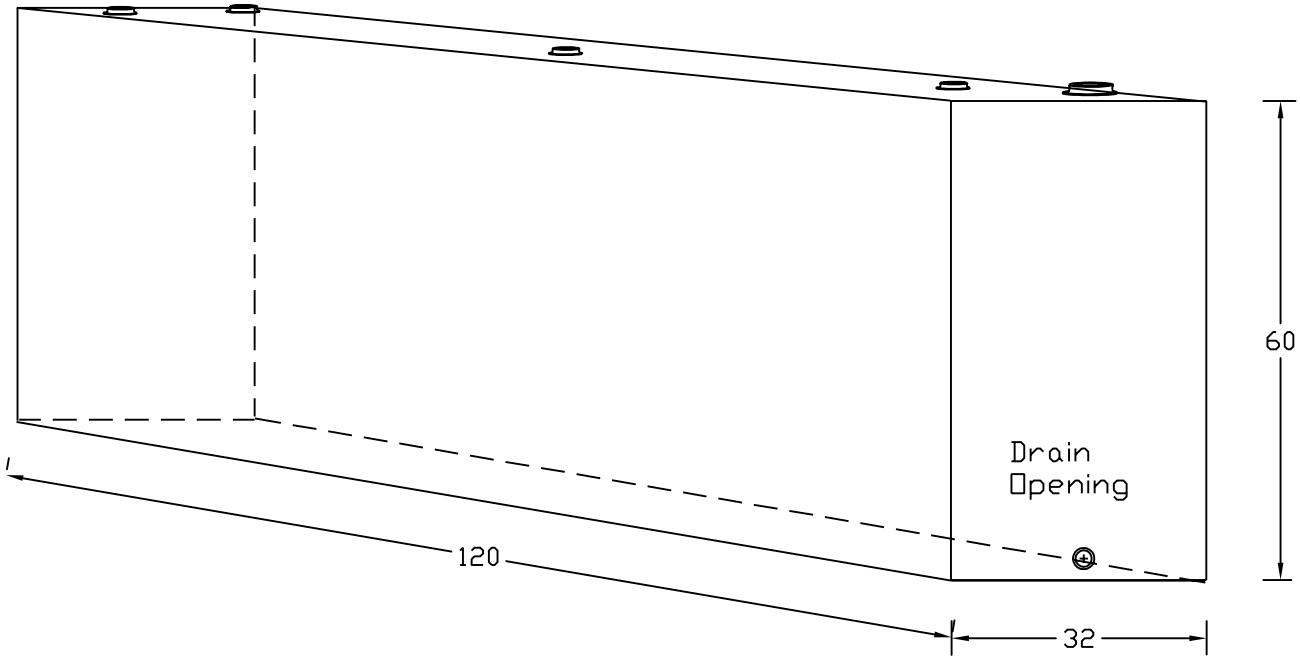
Standard 2" NPT
 Openings for fill,
 dispensing, vents,
 gauges, etc.

6" Primary E
 Vents



FINAL APPROVED DRAWING
 BY: _____
 DATE: _____

Tank Information			
ZONE	REV	DESCRIPTION	APPROVED
			Apr 2008



1000LT

1000 Gallon aboveground rectangular
 singlewall tank, Standard Openings, red
 oxide coating

1333 North Douglas St
 Florence, SC 29501
 Telephone (843) 669-3381
 Fax (843) 664-9118

UL 142
 Listed

For Stationery Use Only

REV

SCALE

M Moran

SHEET