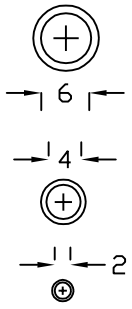


Tank Information

ZONE	REV	DESCRIPTION	DATE	APPROVED
			Aug 2009	

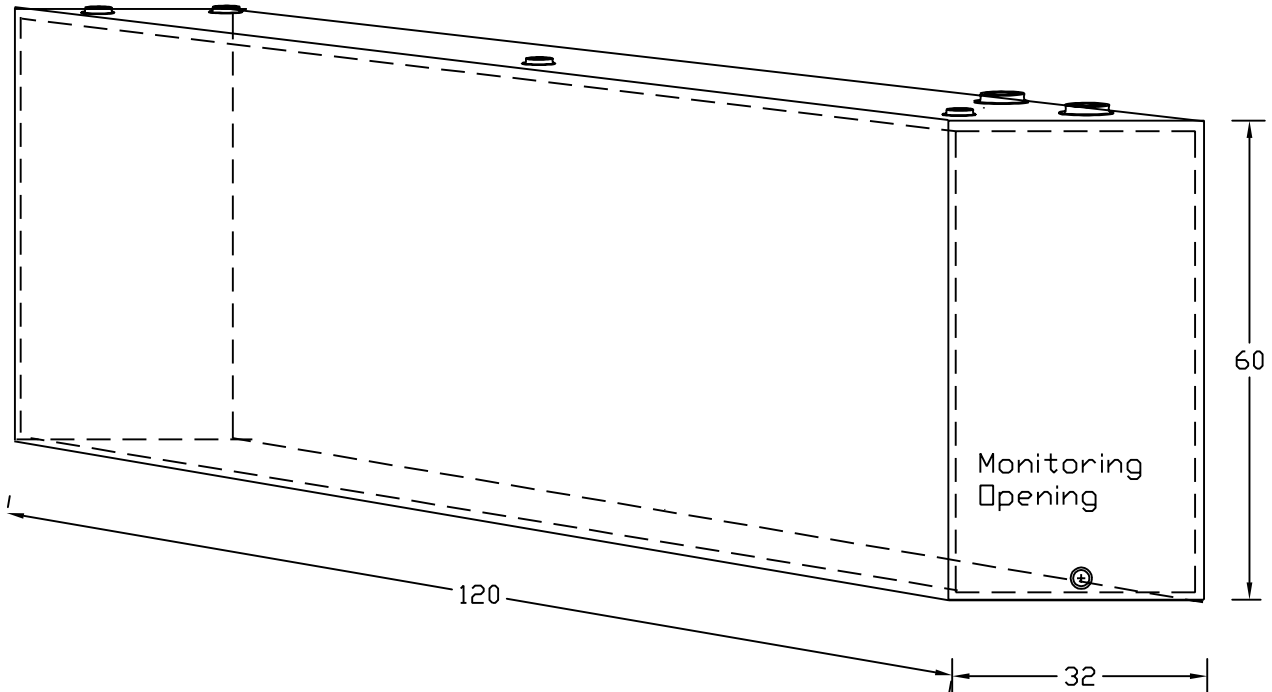
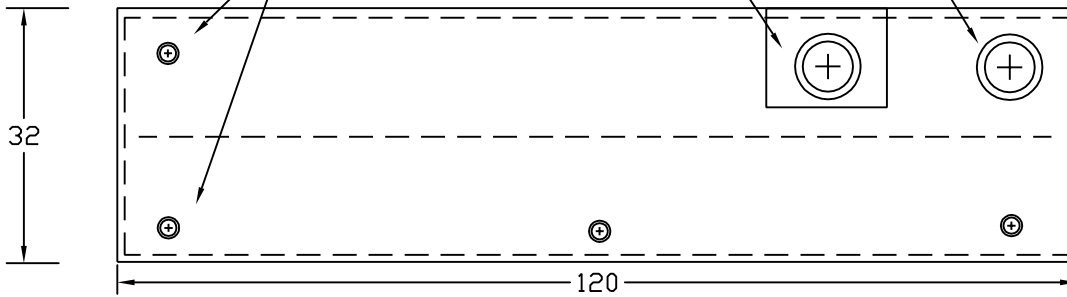
FINAL APPROVED DRAWING  
 BY: \_\_\_\_\_  
 DATE: \_\_\_\_\_



Standard 2" NPT  
 Openings for fill,  
 dispensing, vents,  
 gauges, etc.

6" Secondary  
 E Vent

6" Primary E  
 Vents



1333 North Douglas St  
 Florence, SC 29501  
 Telephone (843) 669-3381  
 Fax (843) 664-9118

1000LTDW

1000 Gallon aboveground rectangular  
 doublewall tank, Standard Openings, red  
 oxide coating

UL 142 Listed	For Stationery Use Only	REV
SCALE	M Moran	SHEET